

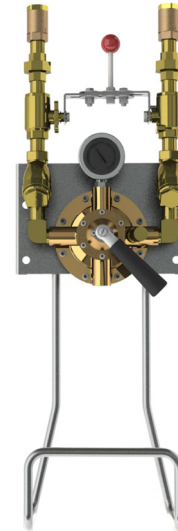


# BUHAR & SU KARIŞTIRMA VANA İSTASYONLARI Steam & Water Hose Stations & Mixing Units

## Model 2032—Premium

STEAMIX 203 Steam/Water Mixing Valve of brass/stainless steel (SS) construction.

STEAMIX® Model 2032P is supplied as standard with integral inlet supply risers comprising 3/4" Y-type strainers and 3/4" ball valves cross-linked by a stainless steel bridge piece and lever for simultaneous on/off control of both inlet supplies. The unit is supplied fully assembled, pressure-tested and installed on a stainless steel hose rack. Stainless Steel dual scale top mount Thermometer and Inlet Check Valves included.



## Safety Features

- **Steamix 203 will not pass live steam.** In the event of either a complete failure of the inlet cold-water supply or a reduction in cold-water pressure to below 20 (+/-5) psi (1.4 bar), STEAMIX will respond with a complete shutdown of outlet flow.
- If there is a structural failure of the primary operating component (diaphragm), STEAMIX will "fail safe" to cold water.
- To prevent over-temperature selection by the user and the potential for overheated water and flash steam presentation common with other types of hose stations, STEAMIX is supplied with a single-temperature locking set.

## Technical Specifications

- 3/4" (20 mm) NPT inlets/outlet(s)
- Brass/stainless steel construction
- Operating pressures
  - Maximum: 150 psi (10 bar)
  - Minimum: 20 psi† (1.4 bar)
- Maximum pressure loss ratio 10:1††
- Inlet check valves included
- Weight: 41 lbs (18.6 kg)

† **IMPORTANT NOTE: Lower steam pressures significantly reduce outlet flow rates.**

†† Ratio of inlet pressures accounting for restrictions on valve outlet (minus back pressure).

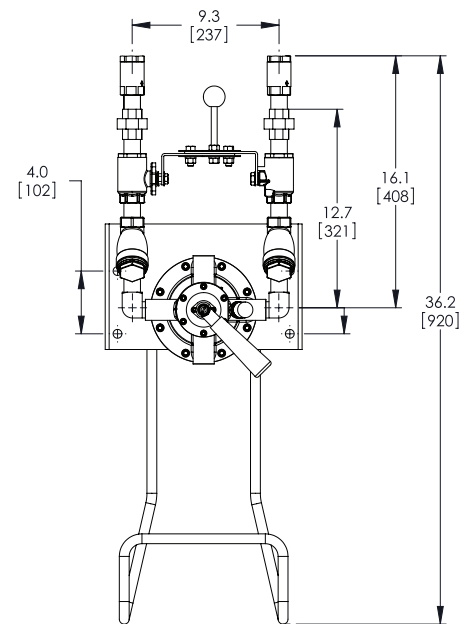
## Flow Rates

The capacity charts indicate STEAMIX 203 flow rates at steam and water pressures commonly available in the average manufacturing plant. The STEAMIX 203 can handle a wide diversity of pressures and temperatures. Three typical outlet temperatures shown in the flow tables were selected to demonstrate the valve's flow rate at:

- A) "User safe" temperature (approx. 120°F - 48°C)
- B) "Hot hose down" temperature (approx. 150/160°F - 65/71°C)
- C) "Common bacteria kill" temperature (approx. 180°F - 82°C)

**NOTE:** All flow rates shown are with open outlet, and a reduction of flow is to be expected depending on the length and diameter of outlet pipework, washdown hose, spray nozzle, etc.

For a fully detailed certified drawing, refer to:  
CD #2268



A) 55°F (31°C) Temperature Rise						
Water \ Steam	20 (1.4)	45 (3)	75 (5)	100 (7)	psi (bar)	
22 psi (1.5 bar)	6.9 (26.1)	10.2 (38.6)	10.2 (38.6)	10.2 (38.6)	gal/min (l/min)	
45 psi (3 bar)	6.9 (26.1)	13.2 (49.9)	13.2 (49.9)	13.2 (49.9)	gal/min (l/min)	
60 psi (4 bar)	6.9 (26.1)	13.8 (52.2)	15.7 (59.4)	15.7 (59.4)	gal/min (l/min)	
B) 100°F (56°C) Temperature Rise						
Water \ Steam	20 (1.4)	45 (3)	75 (5)	100 (7)	psi (bar)	
22 psi (1.5 bar)	3.6 (13.6)	6.9 (26.1)	8.3 (31.4)	8.5 (32.1)	gal/min (l/min)	
45 psi (3 bar)	3.6 (13.6)	6.9 (26.1)	9.4 (35.5)	9.9 (37.4)	gal/min (l/min)	
60 psi (4 bar)	3.6 (13.6)	6.9 (26.1)	9.4 (35.5)	10.5 (39.7)	gal/min (l/min)	
C) 135°F (75°C) Temperature Rise						
Water \ Steam	20 (1.4)	45 (3)	75 (5)	100 (7)	psi (bar)	
22 psi (1.5 bar)	2.5 (9.4)	5.0 (18.9)	6.6 (24.9)	7.2 (27.2)	gal/min (l/min)	
45 psi (3 bar)	2.5 (9.4)	5.0 (18.9)	7.2 (27.2)	8.0 (30.2)	gal/min (l/min)	
60 psi (4 bar)	2.5 (9.4)	5.0 (18.9)	7.2 (27.2)	8.0 (30.2)	gal/min (l/min)	

All dimensions and weights are approximate. Use certified print for exact dimensions. Design and materials are subject to change without notice.