

BONETTI®

Sleeve - Packed Cocks

For shut-off and relief purpose of pressure gauges and drain service for level gauges and strainers

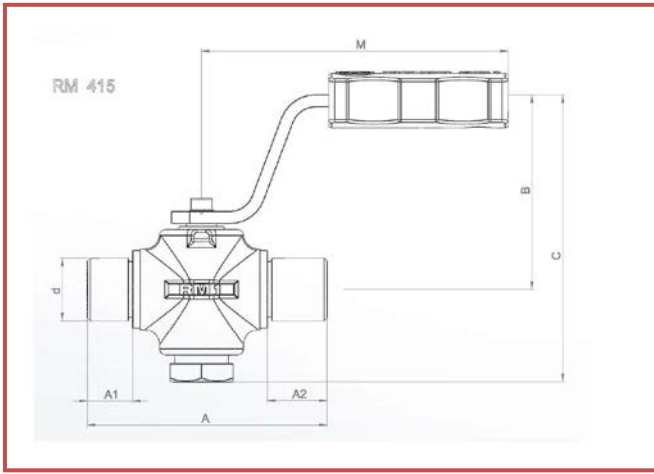
Type : RM 1.415

Connection : Male screwed acc. to TS-EN ISO 228-1

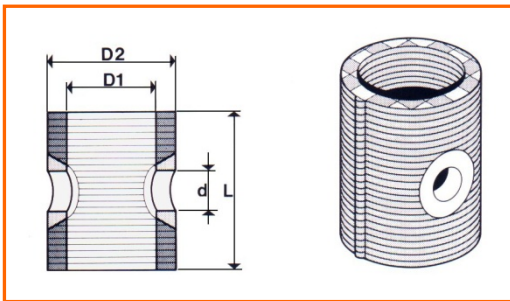
Pressure rating : PN160 (AISI 900)

Features :

- For shut-off and drain service
- Forged carbon or stainless steel body
- Soft sealing between body and stainless steel plug by means of asbestos free graphite packing sleeve with 2 eyelets of stainless steel
- 3-way design for pressure relief of pressure gauges
- Suitable for almost all fluids with low and high temperature (350-400 °C)
- Male screwed connections acc. to DIN259, BSP2779 and UNI 338



Type	DN				Dimensions						Material	Weight Kg
	Sleeve Type	d mm	D1 mm	Conn. BSP	A1 mm	D Mm	A Mm	A2 mm	C mm	M mm		
RM1.415	M1.2	6	12	½"	15	9	80	20	76	100	A105 AISI316	0,40
RM2.415	M2.2	8	18	½"	16	11	80	16	95	130		1,00



Type	Passage nominal bore		Dimensions		
	d mm	d inch	D1 mm	D2 mm	L mm
M1.2	6	1/4"	12	18	23
M2.2	8	5/16"	18	26	32

Suitable for fluids at max. 400°C

Dimensions are in mm.

We reserve the right to change material and dimensions without pre-notice.



VALFTEK® Valf Teknik Tesisat Elemanları Sanayi ve Ticaret A.Ş

Gn.Müdürlük & Fabrika : Bakırlı Mah. Suadiye Yolu No:19 41010 Sarımeşe Kartepe KOCAELİ Tel: 0 (262) 371 61 62 (Pbx) Fax: 0 (262) 371 61 72
email:valftek@valftek.com.tr

İstanbul Bölge: Şerifali mah. Turcan cad. 55/6 34775 Ümraniye İSTANBUL Tel:0 (216) 415 40 20 Fax:0 (216) 415 40 21

Ankara Bölge: Tel:0 (312) 311 50 61 Adana Bölge Tel:0 (322) 363 28 14 İzmir Bölge Tel:0 (232) 458 06 82

Bursa Bölge GSM:0 (533) 629 97 75 Trakya Bölge GSM:0 (533) 315 70 85

www.valftek.com.tr