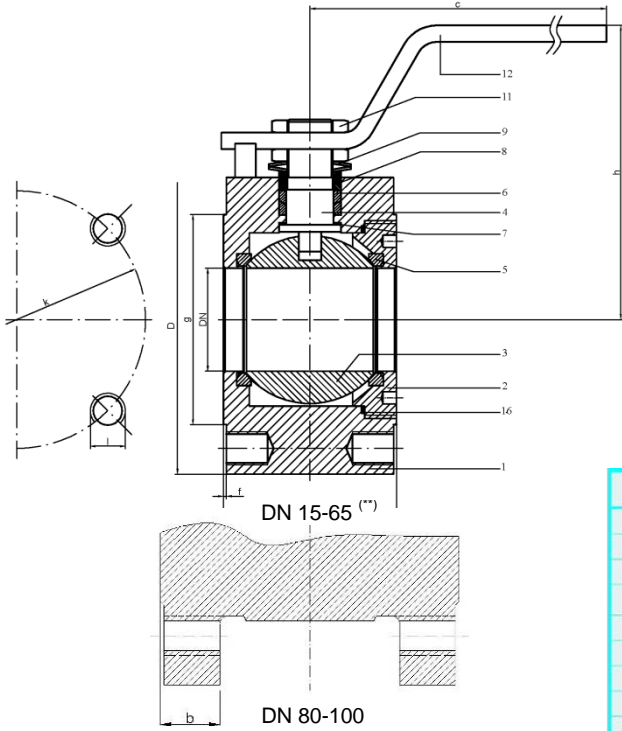




 **VALFTEK®**

BALL VALVES (WAFER-MONOBLOCK)

Model	: VKMB
Pressure Rating	: PN16 – PN40
Connection	: Wafer (TS ISO 7005-1 , DIN EN 1092-1)
Applications	: Chemical,Petrochemical,Flammable Gas,Food and other industrial plants
Special Applications	: Optionally, the heated (jacket) as the production is available
Certificates	: TÜV TS-ISO 10497 Fire-Safe (*)



Part No / Name	Materials	
1-Body	Carbon steel	AISI 316 SS
2-Insert cap	Carbon steel	AISI 316 SS
3-Ball ^(*)	1.4301/1.4086/1.4021 SS	AISI 316 SS
4-Operating stem	1.4104 SS	AISI 316 SS
5-Seat ring	PTFE	PTFE
6-Packing ring ^(*)	PTFE ^(*)	PTFE ^(*)
7-Stem seal	PTFE	PTFE
8-packing gland	St 37	AISI 316 SS
9-Spring washers	Ck 70	AISI 316 SS
10-Retaining pin	St 37	AISI 316 SS
11-Nut	5	AISI 316 SS
12-Wrench	St 37-2	St 37-2
16-Insert seal ^(*)	PTFE ^(*)	PTFE ^(*)

Note:(*) Fire safe valves No. 6 ve16 rings are made of graphite . This is specified in the order.

On request , different material combinations shall be available. Heating Jacket Heating jacket connection pipe size valves as standard 1/2 "

(*) DN15-25 Ball materials are 1.4301 S.Steel

DIMENSIONS PN16 – PN40

Size	Valve dimensions				Flange dimensions												Weight PN16 / PN 40	
					PN16						PN40							
DN	D	L	h	c	b	k	l	n	g	f	b	k	l	n	g	f	Kg	
15	88	36	81	135	-	65	M12	4	46	2	-	65	M12	4	46	2	1,40	
20	105	39	95	160	-	75	M12	4	56	2	-	75	M12	4	56	2	2,35	
25	108	43	100	160	-	85	M12	4	65	2	-	85	M12	4	65	2	2,55	
32	128	57	128	200	-	100	M16	4	76	2	-	100	M16	4	76	2	4,65	
40	138	67	135	200	-	110	M16	4	84	2	-	110	M16	4	84	2	6,20	
50	150	84	135	285	-	125	M16	4	99	2	-	125	M16	4	99	2	9,45	
65	178	105	145	285	-	145	M16	8	118	2	-	145	M16	8	118	2	16,10	
80	200	120	178	410	24	160	M16	8	132	2	24	160	M16	8	132	2	26,50	
100	235	150	192	410	24	180	M16	8	156	2	24	190	M20	8	156	2	43,50	

Not: Except DN100 PN16 flanges applications.

Dimension are in mm. We reserve the rights to modify material and construction without notice .



VALFTEK® Valf Teknik Tesisat Elemanları Sanayi ve Ticaret A.Ş

Headquarters & Factory: Sarımeşe Mah. Suadiye Cd. No:19 41250 Kartepe KOCAELİ Tel: 0 (262) 371 61 62 (Pbx) Fax: 0 (262) 371 61 72

email:valftek@valftek.com.tr

İstanbul Office Marketing & Sales: Şerifali mah. Kible Sk. 21/6 34775 Ümraniye İSTANBUL Tel:0 (216) 415 40 20 Fax:0 (216) 415 40 21

Ankara : Tel:0 (312) 311 50 61 Adana Tel:0 (322) 363 28 14 İzmir Tel:0 (232) 458 06 82

Bursa GSM:0 (533) 629 97 75 Trakya GSM:0 (533) 315 70 85

www.valftek.com.tr