

**VALFTEK®**

**ÇEK VANALAR (Baskı Yaylı-Supaplı)**

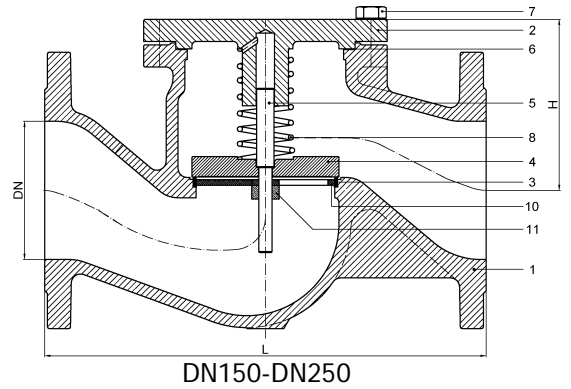
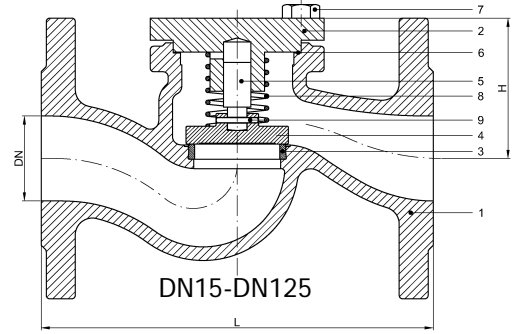
# Check Valves (Spring Loaded, Lift Type)

BONETTI

<b>Type</b>	: BCV
<b>Pressure Rating</b>	: PN16 – PN25
<b>Connections</b>	: Flanged (TS EN 1092-2)
<b>Max. Operating Conditions</b>	: Rating to DIN 2401
<b>Applications</b>	: Water, Hot water, Steam, Air, Gas, Heat Transfer Oil, ect

Part No	Material	
	PN16	PN25
<b>1-Body</b>	5.1301 (JL 1040)	5.3103 (JS 1049)
<b>2-Bonnet</b>	5.1301 (JL 1040)	5.3103 (JS 1049)
<b>3-Seat</b>	AISI 420 (1.4021)	AISI 420 (1.4021)
<b>4-Disc(*)</b>	AISI 420 (1.4021)	AISI 420 (1.4021)
<b>5-Stem</b>	AISI 420 (1.4021)	AISI 420 (1.4021)
<b>6-Gasket</b>	Graphite	Graphite
<b>7-Nut</b>	8.8	8.8
<b>8-Spring</b>	1.4310	1.4310
<b>9-Pin</b>	AISI 304	AISI 304
<b>10- Centering seat (*)</b>	AISI 304	AISI 304
<b>11- Guiding ring (*)</b>	AISI 420 (1.4021)	AISI 420 (1.4021)

(\*) Used in sizes DN150/200/250, in order to support discs.



Size	DN	15	20	25	32	40	50	65	80	100	125	150	200	250
<b>Face to face dist. (L) - mm</b>		130	150	160	180	200	230	290	310	350	400	480	600	730
<b>Height (H) - mm</b>		61	61	68	68	79	84	111	118	137	179	200	250	340
<b>Weight (PN16) - Kg</b>		2,7	3,6	4,6	6,1	7,6	10,2	15,9	21,4	32,7	50	68	150	267
<b>Weight (PN25) - Kg</b>		3	3,7	4,7	6,2	8	10,4	15,9	21,6	34	52	70	152	269

Pressure-Temperature Table		Body Test Pressure (bar)	Operating Pressure ( bar )					
Nominal Pressure	Material	Water	20 °C	120 °C	200 °C	250 °C	300 °C	350 °C
<b>PN16</b>	5.1301 (JL 1040)	24	16	16	13	11	10	-
<b>PN25</b>	5.3103 (JS 1049)	37,5	25	25	20	18	16	15

## Other Properties

- ◆ Standard check valves have metal to metal sealing.
- ◆ (\*)For low temperature (max. 200 C°)applications, check valves with soft seal disc can be provided .
- ◆ Dimensions are in mm. We reserve the right to carry out any necessary alterations, without notice .



## VALFTEK® Valf Teknik Tesisat Elemanları Sanayi ve Ticaret A.Ş

Gn.Müdürlük & Fabrika: Sarımeşe Mah. Suadiye Cad. No:19 41250 Kartepe KOCAELİ Tel: 0 (262) 371 61 62 (Pbx) Fax: 0 (262) 371 61 72  
email:valftek@valftek.com.tr

İstanbul Bölge: Şerifali mah. Turcan cad.. 55/6 34775 Ümraniye İSTANBUL Tel:0 (216) 415 40 20 Fax:0 (216) 415 40 21

Ankara Bölge: Tel:0 (312) 311 50 61 Adana Bölge Tel:0 (322) 363 28 14 İzmir Bölge Tel:0 (232) 458 06 82

Bursa Bölge Gsm:0 (533) 629 97 75 Trakya Bölge Gsm: 0 (533) 315 70 85

www.valftek.com.tr