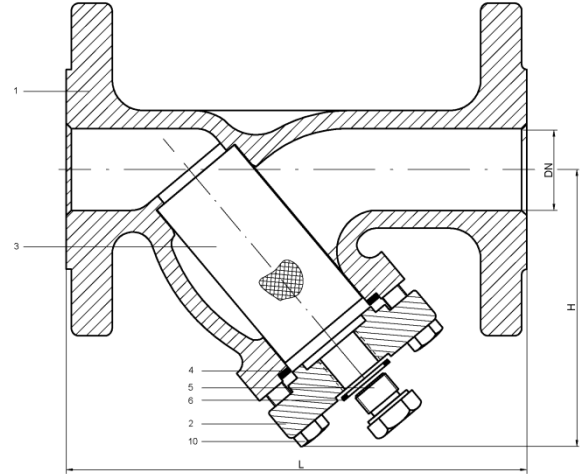


Type	: VPT (acc. to TS 11494)
Pressure Ratings	: PN16 – PN25
Connections	: Flanged to TS EN 1092-2, Female screwed acc. to TS EN ISO 228-1
Max. Operating Conditions	: PN16 (10 bar/300°C), PN25 (15 bar/350°C) (DIN2401)
Applications	: Water, hot water, superheated water, steam, comp. air, gases

Part no./name	Material	
	PN16	PN25
1-Body	5.1301 (JL 1040)	5.3103 (JS 1049)
2-Cap	5.1301 (JL 1040)	5.3103 (JS 1049)
3-Filter Screen	1.4301 (AISI 304)	1.4301 (AISI 304)
4-Body Gasket	Graphite	Graphite
5-Plug (**)	Carbon steel	Carbon steel
6-Gasket	Cu	Cu
7-Screen support(*)	1.4301 (AISI 304)	1.4301 (AISI 304)
10-Bolt	8.8	8.8

(*) Available for nominal sizes DN65 to 200

(**) Not available for DN15 (1/2") – 20 (3/4"). Blowdown valve is adaptable.



Screwed Connection

Nominal sizes	DN	1/2"	3/4"	1"	1 1/4"	1 1/2"	2"
End to end	L	100	120	135	160	185	220
Height	H	75	80	100	106	127	142
Drain plug size (inch)		1/2"	1/2"	1/2"	1/2"	1/2"	1/2"
Weight PN16-25	kg	1,0	1,4	2,1	3,2	4,8	6,8

General features:

- Larger filtering area
- SS filter screen and screen support (>=DN65)
- Y type design for low pressure drop
- A blowdown valve can be fitted to discharge the system easily

Flanged Connection

Nominal sizes	DN	15	20	25	32	40	50	65	80	100	125	150	200
Face to face	L	130	150	160	180	200	230	290	310	350	400	480	600
Height	H	75	80	100	106	127	142	162	203	224	278	305	382
Drain plug size (inch)		1/2"	1/2"	1/2"	1/2"	1/2"	1/2"	1/2"	1/2"	1/2"	3/4"	3/4"	3/4"
Weight PN16	kg	2,0	2,9	3,9	5,7	7,0	9,3	14,2	21,0	27,1	43,1	61	106
Weight PN25	kg	2,0	2,9	3,9	5,9	7,1	9,6	14,1	20,8	29,1	45,7	66	110

Pressure-Temperature ratings		Nominal Pressure	Hydraulic Body Test Pressure (bar)	Max. Operating Pressure (bar)					
Model	Material			PN	Water	20 °C	120 °C	200 °C	250 °C
VPT	5.1301	16	24	16	16	13	11	10	-
VPT	5.3103	25	37,5	25	25	20	18	16	15

Dimensions are in mm. We reserve the right to modify construction and material without

- ❖ Sealing gaskets are asbestos free. Standard wire mesh opening is 0,8 x 0,8 mm.
- ❖ Different wire mesh and perforated sheets are also available on request.
- ❖ DN250 strainer is produced T type .
- ❖ Please feel free to contact us for special requirements.



VALFTEK® Valf Teknik Tesisat Elemanları Sanayi ve Ticaret A.Ş

Gen.Müd. & Fabrika : Sarımeşe mah. Suadiye cad. No:19 41250 Kartepe – Kocaeli Tel: 0 (262) 371 61 62 (Pbx) Fax: 0 (262) 371 61 72
email:valftek@valftek.com.tr

İstanbul Bölge: İdealtepe mah. Turgut Özal Bulvarı No.95/1 34841 Maltepe – İstanbul Tel: 0 (216) 415 40 20 Fax: 0 (216) 415 40 21

Ankara Bölge: Tel: 0(312) 311 50 61 Adana Bölge Tel: 0 (322) 363 28 14 İzmir Bölge Tel: 0 (232) 458 06 82

Bursa Bölge GSM: 0 (533) 629 97 75 Trakya Bölge GSM: 0 (533) 315 70 85

www.valftek.com.tr