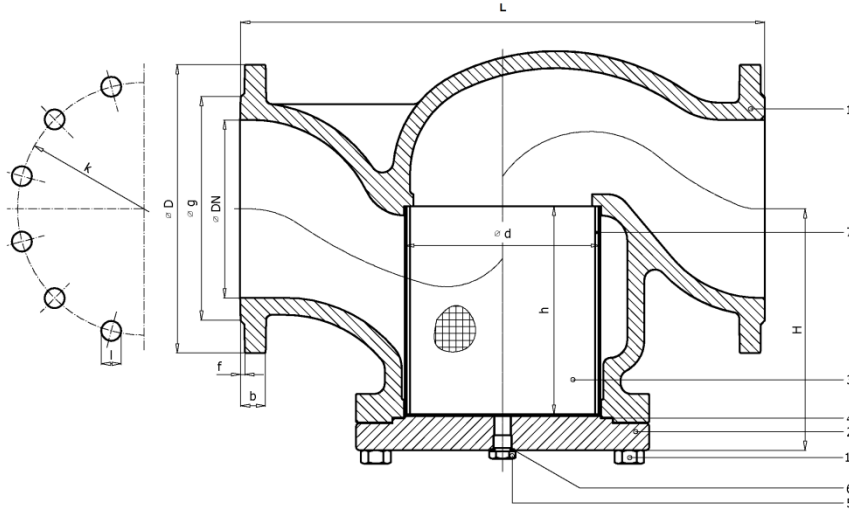


# Strainers (T Type)

**VALFTEK®**

<b>Model</b>	: VPT (acc. to TS 11494)
<b>Pressure Ratings</b>	: PN 16 – PN 25
<b>Connections</b>	: Flanged acc. to TS EN 1092-2
<b>Max. Operating Conditions</b>	: PN16 (10 bar / 300 C <sup>0</sup> , PN25 (15 bar / 350 C <sup>0</sup> ) (DIN2401)
<b>Applications</b>	: Water, hot water, superheated water, steam, comp.air, gases



Part no / name	Materials	
	PN 16	PN 25
1-Body	5.1301 (JL 1040)	5.3103 (JS 1049)
2-Cap	5.1301 (JL 1040)	5.3103 (JS 1049)
3-Filter screen	1.4301 (AISI 304)	1.4301 (AISI 304)
4-Body gasket	Graphite	Graphite
5-Plug (**)	Carbon steel	Carbon steel
6-Gasket	Cu	Cu
7-Screen support <sup>(*)</sup>	Steel (Galvanized)	Steel (Galvanized)
10-Bolt	8.8	8.8



(\*) 5x5 mm perforated screen (\*\*) Size 3/4", blowdown valve is adaptable .

Dimensions					Flange Dimensions												Weight kg.			
					PN 16						PN 25									
DN	L	H	d	h	D	b	k	l	n	g	f	D	b	k	l	n	g	f	PN16	PN25
250	730	340	275	290	405	32	355	28	12	319	3	425	32	370	31	12	330	3	250	260

Dimensions are in mm. We reserve the right to modify construction and material without notice .

- Sealing gaskets are asbestos free. Standard wire mesh opening is 0,8 x 0,8 mm.
- Different wire mesh and perforated sheets are also available on request.
- Please feel free to contact us for special requirements.



## VALFTEK® Valf Teknik Tesisat Elemanları Sanayi ve Ticaret A.Ş

Gn.Müdürlük & Fabrika : Sarımeşe mah. Suadiye cad. No:19 41250 Kartepe – Kocaeli Tel: 0 (262) 371 61 62 (Pbx) Fax: 0 (262) 371 61 72  
email:valftek@valftek.com.tr

**İstanbul Bölge:** İdealtepe mah. Turgut Özal Bulvarı No.95/1 34841 Maltepe – İstanbul Tel: 0 (216) 415 40 20 Fax: 0 (216) 415 40 21

**Ankara Bölge:** Tel: 0(312) 311 50 61 **Adana Bölge:** Tel: 0 (322) 363 28 14 **İzmir Bölge:** Tel: 0 (232) 458 06 82

**Bursa Bölge:** GSM: 0 (533) 629 97 75 **Trakya Bölge:** GSM: 0 (533) 315 70 85

www.valftek.com.tr